



CONSTRUCTION & ROCK SOLUTION

INDIAN DEALER & TRADERS

SKID STEER LOADER RS04



**EXCELLENT APPEARANCE, LET YOUR
EYES SHINE.**



EXCELLENT BASIC PERFORMANCE



[KUBOTA Z482]



Powerful performance in a compact design. The engine features Kubota's renowned Z482 twin-cylinder engine, delivering reliable power with low fuel consumption, minimal vibration, and reduced noise. Engineered for durability and environmental friendliness, the Z482 offers outstanding performance while meeting stringent emission standards.



DIESEL ENGINE — Z482

8.3 kw/3220rpm

[THREE-GEAR PUMP DRIVE SYSTEM]

Three-gear pump drive system, 14.4+9.6+9.6 L/min efficient flow diversion, clear division of labor, realize non-interference and coordinated operation of each system, more precise control and smoother operation.



[MULTI-WAY VALVE]

Three-way two-line mechanical valve independent control, precisely adjusting hydraulic flow to ensure smooth and efficient operation, enhancing work efficiency and control stability.



[MODULAR MOBILITY SYSTEM]

15-Minute Track/Wheel Conversion for All-Terrain Dominance



RS04 SKID STEER LOADER

A versatile machine compatible with a wide range of attachments, including buckets, 4-in-1 buckets, dozer blades, breakers, grapples, tillers, and more, providing flexibility to tackle various tasks and enhancing efficiency.

Industry-standard quick coupler, compatible with mainstream attachments, allowing a fast 30-second switch to boost work efficiency.

Triple gear pump system (14.4+9.6+9.6 L/min) ensures efficient distribution, precise control, and smooth operation.

Equipped with five independent auxiliary hydraulic lines and one dedicated return (unloading) line, the hydraulic system is well-designed to support various attachments and enhance operational efficiency.

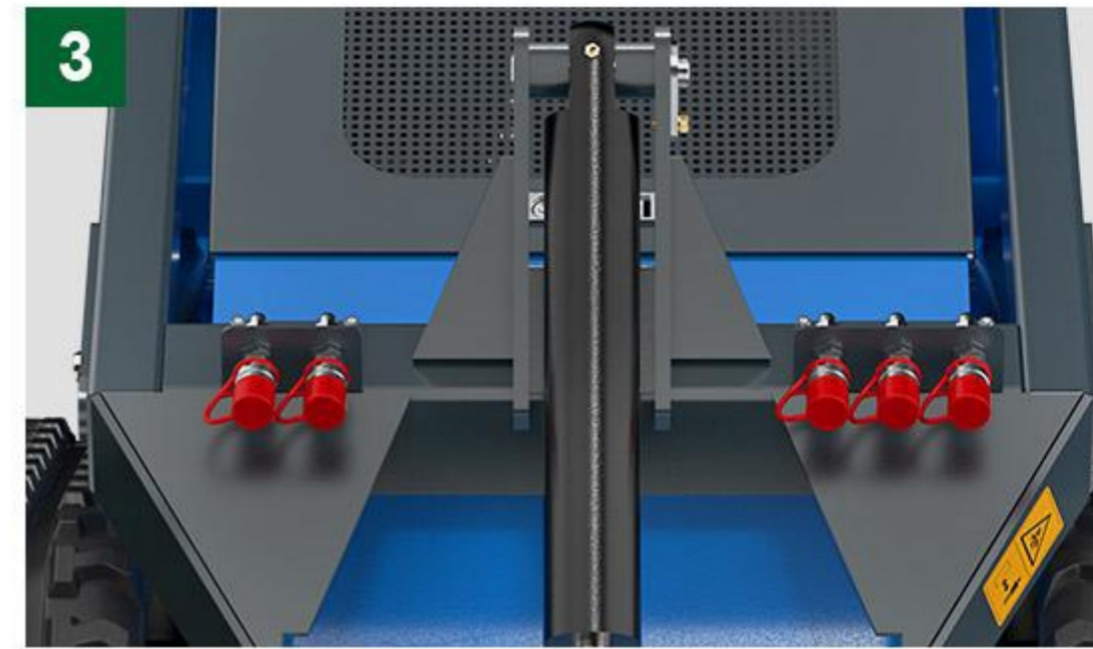
Three-way two-line mechanical valve independent control, precisely adjusting hydraulic flow to ensure smooth and efficient operation, enhancing work efficiency and control stability.

The RS04 model is equipped with the powerful and kubota Z482 engine, designed for high-load operations, enhancing work efficiency and ensuring long-lasting reliability.

Modular Mobility System – 15-Minute Track/Wheel Conversion for All-Terrain Dominance



SHOW MORE DETAILS



The hydraulic system is equipped with four independent auxiliary hydraulic lines and a dedicated oil return (oil unloading) line with quick-change connectors to quickly replace the attachment oil line and improve work efficiency.



Industry-standard quick coupler, compatible with mainstream attachments, allowing a fast 30-second switch to boost work efficiency.



The front and rear of the machine are equipped with lifting rings, which makes it easier to achieve balanced lifting in a small space or complex environment, improving transportation efficiency and safety. The lifting rings serve as effective traction points, which are convenient for towing and repair, greatly reducing the risk of operation interruption.



The power switch can be used to open or cut off all circuit systems of the skid steer loader to ensure safe use of electricity and prevent misoperation. When the machine is not used for a long time, turning off the power switch can prevent the battery from running out of power due to standby power consumption and extend the battery life.



The auxiliary device operating lever has a self-locking function, which is more convenient to operate and saves time and effort.



The oil pipe adopts a built-in pipe arrangement, which can effectively protect the oil pipe, reduce wear and tear and prolong the service life of the oil pipe.



The skid steer loader is equipped with a multifunctional parameter display instrument that can comprehensively and real-time display key operating status information to avoid downtime due to fuel exhaustion. Real-time monitoring of hydraulic system temperature, etc.



The foot pedal adopts anti-skid design. Whether it is rainy, muddy, oily or dusty environment, the anti-skid pedal can provide good grip, effectively preventing the operator from slipping when getting on and off the vehicle or working, reducing the risk of falling.

REPLACE ASSISTIVE DEVICEMODE

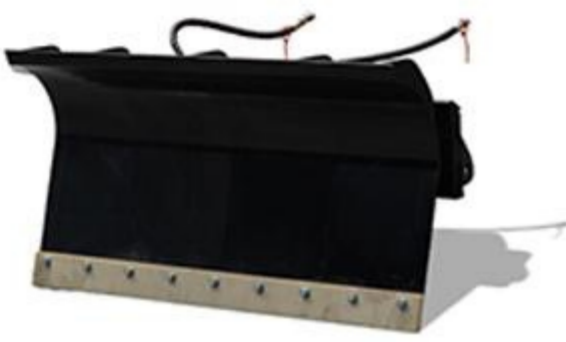
When replacing auxiliary equipment such as hydraulic quick changers, breakers, and wood grabbers, you can easily replace them by pressing the button, which is convenient and quick.



Opener



Hydraulic grass clip



Snowboard



Wood Grabber



Breaker



Rotary Drilling



Snowplow



Concrete mixer



Excavator arm



Standard bucket



Forks



Rock bucket



Piling foundation



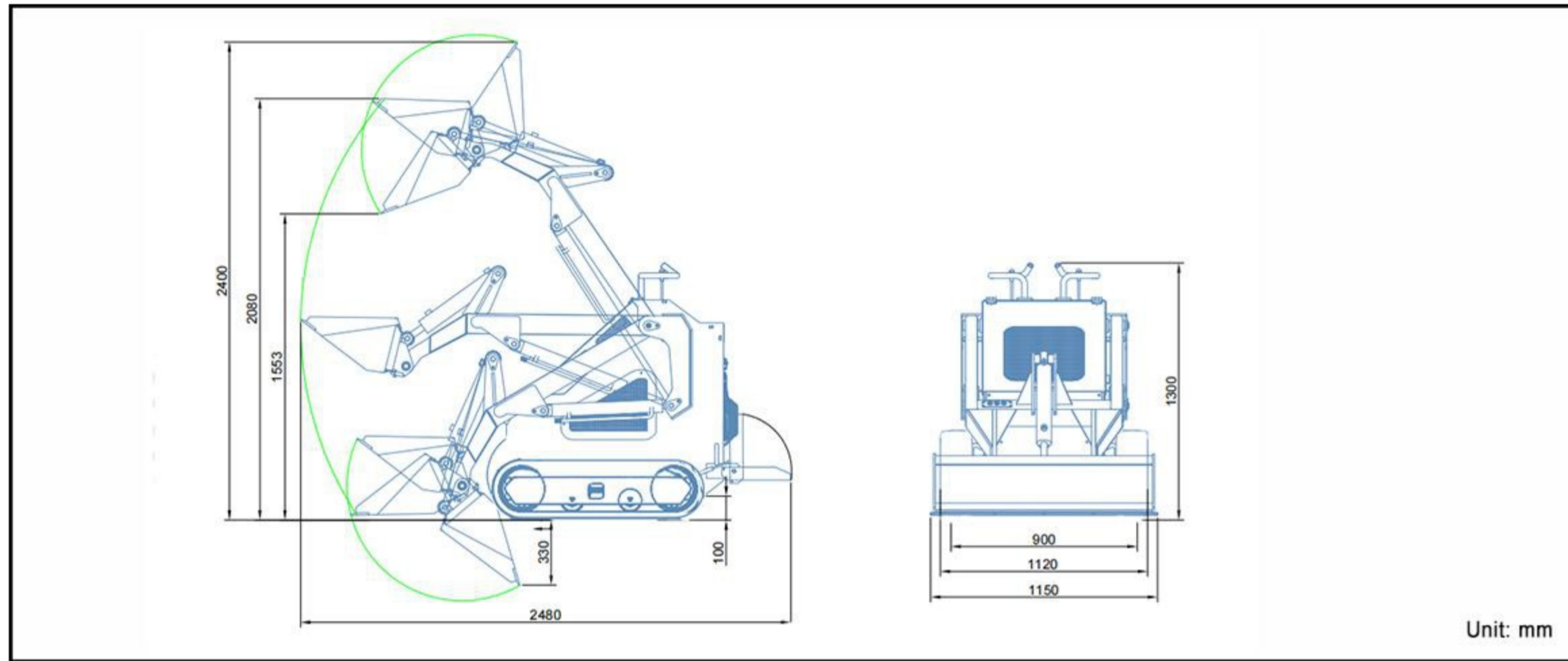
Hold the fork



Compactors

DETAILED PARAMETER CONFIGURATION

Envelope diagram



Product parameter

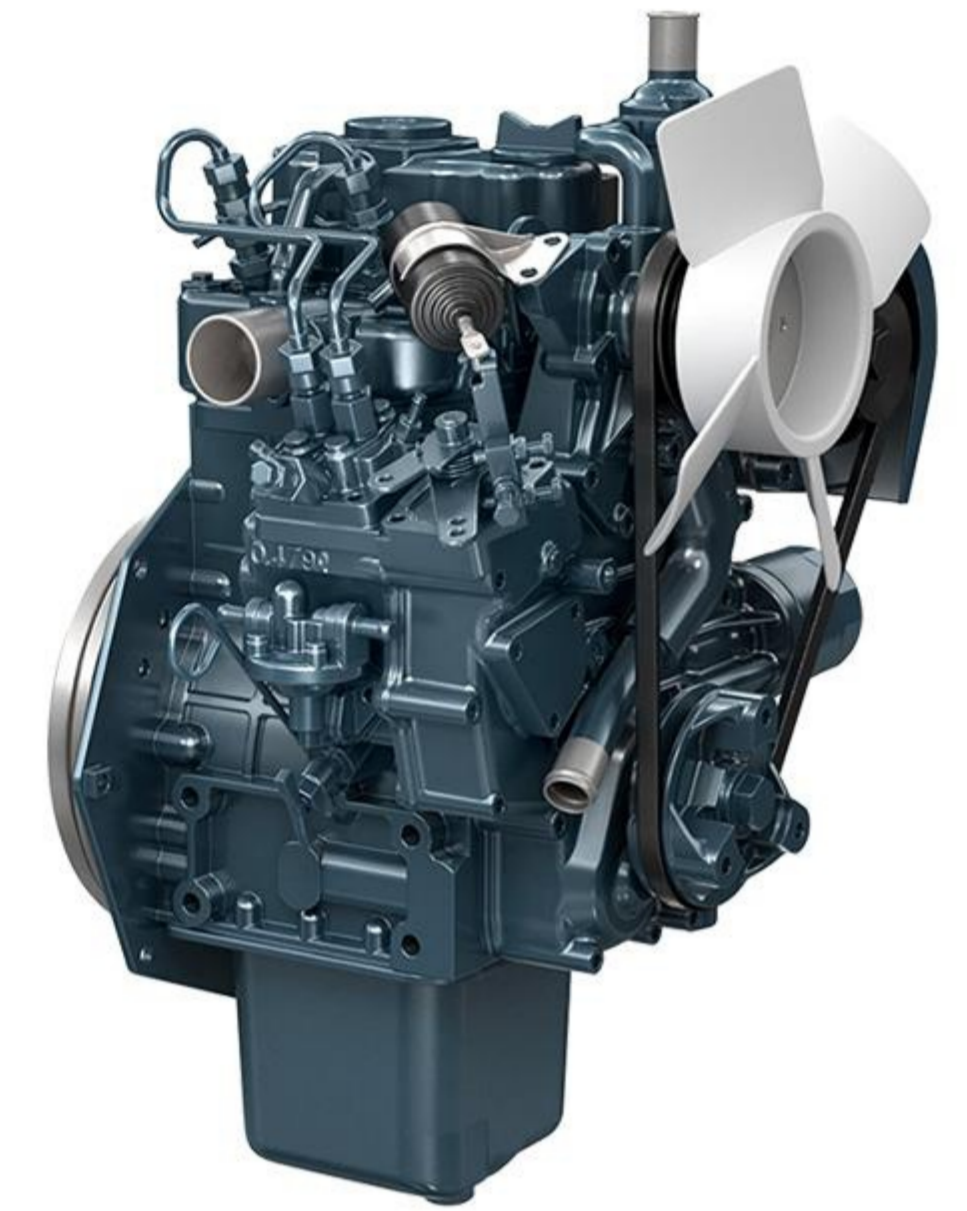
Basic performance parameter

Machine working weight	890kg	1958lb
Bucket capacity	0.15m ³	5.3ft ³
Rated load mass (safe load)	175kg	385lb
Maximum load mass	400kg	880lb
Travel speed low/high speed	0-2.5km/h	0-1.86mph
Gradeability	25%	25%
Ground pressure	25.17kpa	3.7psi
Maximum unloading height	1553mm	61.1in
Maximum loading height	2080mm	81.9in
Maximum unloading distance	550mm	21.7in
Minimum ground clearance	108mm	4.3in

Body

Transport length - with bucket (mm)	1970mm	77.6in
Transport length - without bucket (mm)	1520mm	59.8in
Transport width (mm)	1150mm	45.3in
Transport height (mm)	1300mm	51.2in
Bucket width (mm)	1150mm	45.3in

POWERED BY
kubota



Engine

Engine brand	Kubota	Kubota
Engine model	Z482	Z482
Maximum horsepower	11.1hp	11.29ps
Maximum power	8.3kw	8.3kw
Maximum speed	3600rpm	3600rpm
Displacement	0.13gal	0.479L
Number of cylinders	2	2
Cooling method	water cooling	water cooling
Engine oil change amount	0.66gal	2.5L
Fuel form	diesel fuel	diesel fuel
Fuel grade	-	-
Theoretical fuel consumption	0.21-0.32gal	0.8-1.2

Hydraulic system

Main pump type/model	Gear Pump PGP64422H92
Main pump brand	Tianjin Walk
Multi-way valve brand	Tengfei
Travel hydraulic motor type	Deston BM5-315
Travel motor brand	Deston

> WE ARE S.G GROUP INDIA

we are located in Pune's Industrial Area,in IndiaThis is a well trusted Company that imports high profile construction machinery and sales them. We are known trusted for providing the customers of India the best sales of construction machines and after sales services in India.

This is a number one company in trading of construction machinery company.

We are the Best solution for you.The company's employees are energetic and enterprising, constantly creating the legend and fame of the SG GROUP



Pune-Mumbai Road, Mehata Chambers Kasarwadi, Pune - 411 034

E mail : info@sggrouppune@gmail.com / [sggrouppune@gmail.com](mailto:info@sggrouppune@gmail.com)

Mob : 9850100284 / 9881820284

Web : www.sggrouppune.com

GST No : 27BAEPS0979R1ZP